



**Depositor
for Biscuits**



DEVA-MINO

MADE IN ITALY



Depositor DEVA-MINO



- Machine structure in stainless steel and aluminum anticorodal;
- PLC complete of 400 memories;
- 7" color touch screen control panel;
- Electronic speed adjustment dosing rollers;
- Bi-directional tray direction electronically controlled;
- Manual table height adjustment;
- Safety guards and sensors.



- Struttura in acciaio inox e alluminio anticorodal;
- PLC completo con 400 memorie;
- Pannello di controllo touch screen a colori 7";
- Regolazione elettronica della velocità dei rulli;
- Direzione della teglia bidirezionale controllata elettronicamente;
- Regolazione manuale dell'altezza del tavolo;
- Protezioni e sensori di sicurezza.



- Estructura en acero inoxidable y aluminio anticorodal;
- PLC completo con 400 memorias;
- Panel de control con pantalla táctil a color de 7";
- Control electrónico de la velocidad del rodillo;
- Dirección de oscilación bidireccional controlada electrónicamente;
- Ajuste manual de la altura de la mesa;
- Protecciones y sensores de seguridad.



- Structure de la machine en acier inoxydable et aluminium anticorodal;
- PLC complet de 400 mémoires;
- Panneau de contrôle à écran tactile couleur de 7";
- Réglage électronique de la vitesse des rouleaux de dosage;
- Direction bidirectionnelle de la plaque contrôlée électroniquement;
- Réglage manuel de la hauteur de la table;
- Protections et capteurs de sécurité.

	DEVA 400	MINO 400	MINO 460
Length	1009 mm	1009 mm	1000 mm
Height	1280 mm	915 mm	915 mm
Width	862 mm	862 mm	915 mm
Weight	200 kg	170 kg	390 kg
Installed power	1,7 kW	1,7 kW	1,7 kW
Number of exits	6	6	7
Roller head dough capacity	18 lt	18 lt	20 lt
Pump head dough capacity	10 lt	10 lt	12 lt
Max. tray size	400x600 mm	400x600 mm	460x600 mm
Wheels	✓		
Hourly production quantity*	± 40-50kg/h	± 40-50kg/h	± 40-50kg/h

*The amount changes according to texture, shape, size, and weight of the cookie



Max. tray passage under the nozzles
50mm



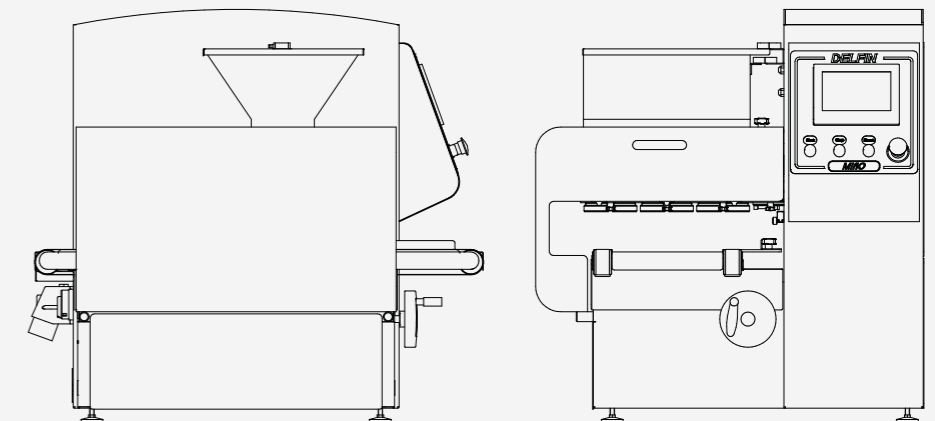
Cycles per minute
15 - 16



Voltage
400 Volts / 3 phase
N + E / 50Hz



Machine complaint with EC standards





MADE IN ITALY by



Delfin srl

Via G. Keplero, 18
36034 Malo, VI - Italy

+39 0445 58 06 88

✉ info@delfin.it

🌐 www.delfin.it

